

# SM5 MODULE OF LOGIC INPUTS

## FEATURES:

**MOD BUS** Program LPConfig



- Adjoined information about the operating machine state to monitoring systems and PLC
- 8 relay logic inputs read out through RS-485/Modbus
- Fixing on a TS35 rail
- Signaling of input states on LED diodes
- Configuration through the free LPConfig software.

## INPUTS:



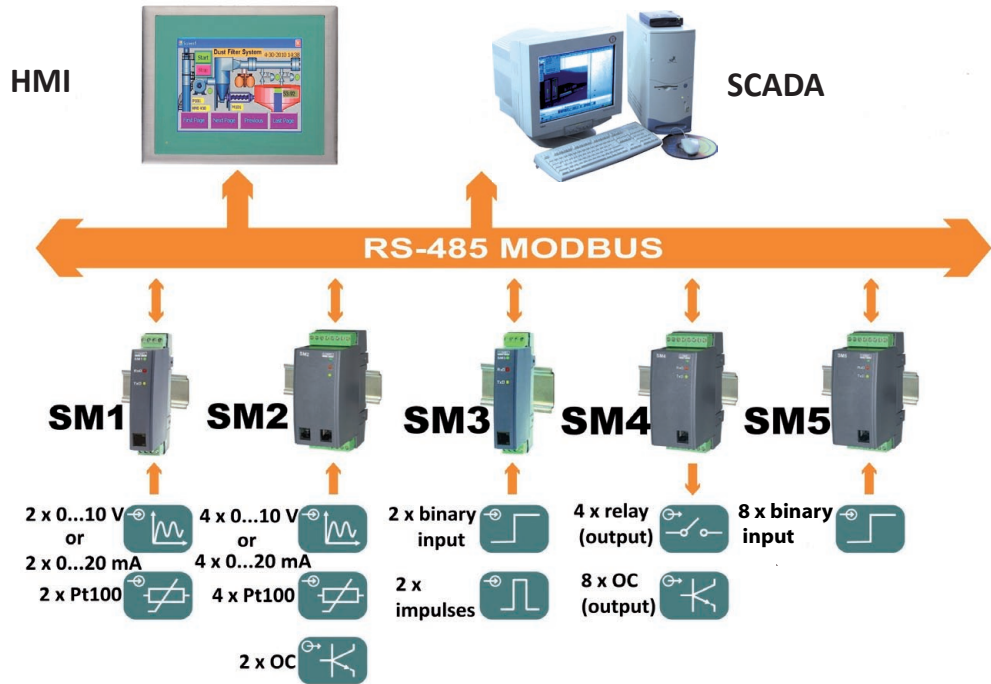
## OUTPUTS:

**RS 485**

## GALVANIC ISOLATION:

**RS 232**  
**RS 485**  
Supply

## EXAMPLE OF APPLICATION



## EXTERNAL FEATURES

Overall dimensions	45 x 120 x 100 mm	
Weight	< 0.25 kg	
Protection grade	IP40	from terminal side: IP20

## DIGITAL INTERFACE

Interface type	Transmission protocol	Modes	Baud rate
RS-485	Modbus RTU	8N2,8E1,8O1,8N1	2400; 4800; 9600; 19.2 k;
	Modbus ASCII	8N1, 7E1, 7O1	38.4 k, 57.6 k, 115 k bit/s

## INPUTS

Input type	Range	
Logic	0 logic - open input; 1 logic - shorted input	

## OUTPUTS

Output type	Properties	Remarks
Digital interface	RS - 485	Modbus ASCII/RTU

## RATED OPERATING CONDITIONS

Supply voltage	85...253 V a.c./d.c. (40...400 Hz) or d.c. 20...50 V a.c./d.c. (40...400 Hz) or d.c.	Input power: ≤ 4 VA
Temperature	ambient: -10...23...55°C	
Relative humidity	< 95%	
Operating position	on a TS35 rail	
External magnetic field	< 400 A/m	

Export department:  
Tel: +48 68 45 75 139/  
/276/ 305/ 386  
Fax: +48 68 32 54 091  
e-mail: export@lumel.com.pl

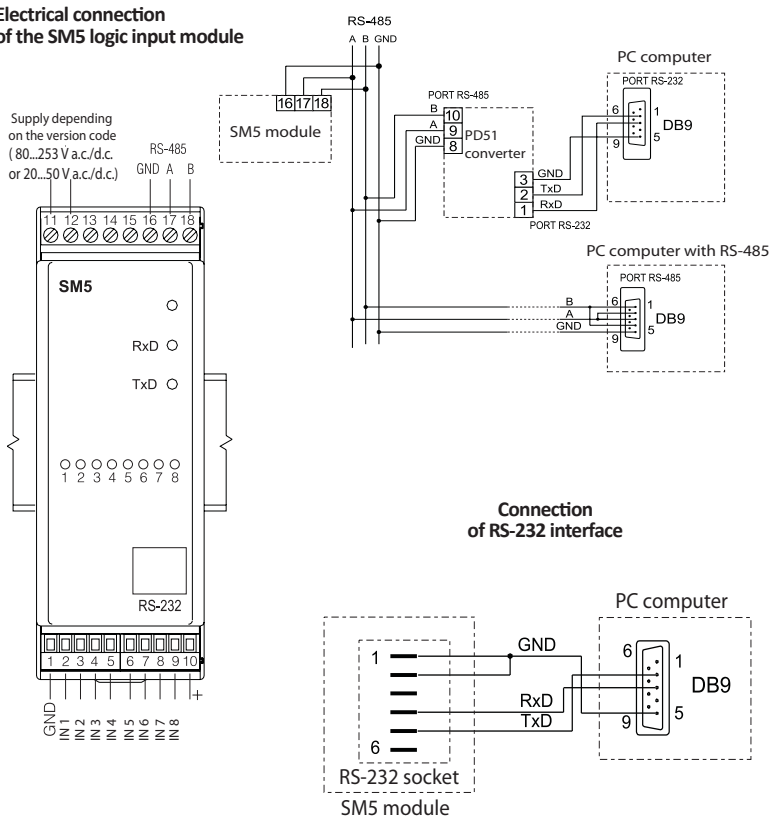
LUMEL S.A.  
ul. Stubicka 1  
65-127 Zielona Góra  
POLAND  
[WWW.LUMEL.COM.PL](http://WWW.LUMEL.COM.PL)

### SAFETY AND COMPABILITY REQUIREMENTS

Electromagnetic compatibility	Noise immunity	acc. to EN 61000-6-2
	Noise emissions	acc. to EN 61000-6-4
Isolation between circuits		acc. to EN 61010-1
Pollution level	2	
Installation category	III	
Maximum phase-to-earth operating voltage	Supply: 300 V, input 50 V, Output: 50 V	
Altitude a.s.l.	2000 m	

### CONNECTION DIAGRAMS

Electrical connection of the SM5 logic input module



Connection of RS-485 and RS-232 interfaces

Description of logic input module leads.

Terminal No	Terminal description
1	GND line of logic inputs
2	IN 1 line - input no 1
3	IN 2 line - input no 2
4	IN 3 line - input no 3
5	IN 4 line - input no 4
6	IN 5 line - input no 5
7	IN 6 line - input no 6
8	IN 7 line - input no 7
9	IN 8 line - input no 8
10	Line 5 V d.c.
11,12	Lines of module supply
13..15	Not used
16	GND RS-485 line with optoisolation
17	Line A of RS-485 interface with optoisolation
18	Line B of RS-485 interface with optoisolation

Connection of RS-232 interface

**SEE ALSO:**



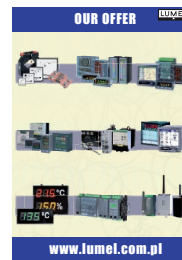
Free LPConfig software



HMI panel.



SMC - Programmable controller



For more information about LUMEL's products please visit our website: [www.lumel.com.pl](http://www.lumel.com.pl)

### ORDERING

<b>Module of logic inputs - SM5</b>	X	XX	X
<b>Supply:</b>			
85...253 V a.c./d.c.	1		
20...50 V a.c./d.c.	2		
<b>Version:</b>			
standard		00	
custom-made*		XX	
<b>Acceptance tests:</b>			
without additional quality inspection requirements			8
with an extra quality inspection certificate			7
acc.to customers request *			X

\* after agreeing with the manufacturer

### Ordering example:

The code **SM5 - 1 00 7** means:

- SM5** - module of SM5 type
- 1** - supply voltage: 85...253 V a.c./d.c.
- 00** - standard version
- 7** - with an extra quality inspection certificate

**Export department:**  
Tel: +48 68 45 75 139/  
/276/ 305/ 386  
Fax: +48 68 32 54 091  
e-mail: [export@lumel.com.pl](mailto:export@lumel.com.pl)

LUMEL S.A.  
ul. Słubicka 1  
65-127 Zielona Góra  
POLAND  
[WWW.LUMEL.COM.PL](http://WWW.LUMEL.COM.PL)